

Bad Ass Caster Cart



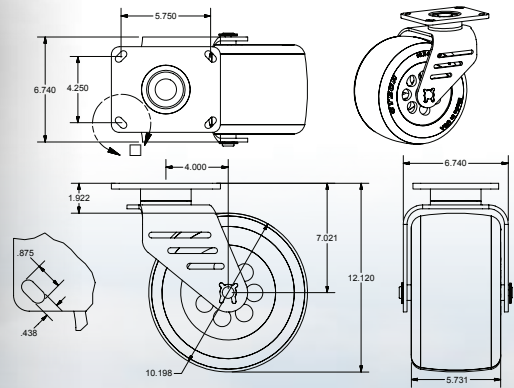
ALUMINUM CARTS, CABINETS & DRAWERS FOR MOBILE APPLICATIONS

## THE LEADING ALL TERRAIN CASTER



The 10" Bad Ass Caster allows for easy maneuverability over all terrains. Designed to roll like a pneumatic tire while maintaining the load capacities of a caster. These carts are designed for extreme conditions for a caster application and outfitted with 2 swivels with brakes and 2 fixed casters on all standard carts.

- 10 standard powder coat colors
- 5 standard configurations
- 2-Tone powder coat
- Customizable add-ons to make one all your own



CTECH EXCLUSIVE  
**MotionLatch**<sup>™</sup>  
Drawer & Door System  
US Patent 6,547,289

WWW.CTECHMANUFACTURING.COM 715-355-8842

**Bad Ass Caster Carts**



SPECIFICATIONS:	BA464830A
WIDTH	48"
HEIGHT	48.5"
DEPTH	30"
LOAD CAPACITY	250 lbs per drawer/shelf
DRAWERS	2-3", 2-4" 1-5", 3-6", 1-8", 1-9", 1-10"
NET WEIGHT	235lbs
MSRP	\$7139.44

SPECIFICATIONS:	BA564830B
WIDTH	56"
HEIGHT	48"
DEPTH	30"
LOAD CAPACITY	250 lbs per drawer/shelf
DRAWERS	4-4", 1-5", 3-6", 1-10"
NET WEIGHT	325lbs
MSRP	\$9143.12



SPECIFICATIONS:	BA-GRILL
WIDTH	48"
HEIGHT	37"- (Cart) 49"- (with grill)
DEPTH	30.5"
LOAD CAPACITY	250 lbs per drawer/shelf
DRAWERS	1-5", 1/8"
NET WEIGHT	185lbs
MSRP	\$4921.84

**NEVER BE LIMITED TO THE SHOP FLOOR AGAIN!**