



# GENSET NONSTORAGE CART



ORAGE SOLUTIONS • THE MOST RESPECTED NAME IN MOBILE ALUMINUM STORAGE SOLUTIONS • THE MOST RESPECTED

Dry Weight: 825lbs  
Generator Weight: 420lbs  
GenSet Cart Weight: 405lbs

## CART FEATURES

- Cummins Commercial 7.5kw (operates @ 71 decibels)
- 4 Cycle, liquid cooled Diesel
- Remote start and stop switch
- 4 - 110V outlets, 3 - 120V outlets
- 4 corner 2,500lb load Lift D-Rings
- BadAss™ Casters with locking brakes
- FlatFree™ Tires
- Cummins approved ventilation
- \*Cart shown with optional features\*



MADE IN THE USA



BasAss Caster:  
500lbs per caster



## CART FEATURES

- Cummins Onan 7kw (operates @ 67 decibels)
- 4 Cycle, OHV 90° V-Twin
- BadAss™ Casters with locking brakes
- FlatFree™ Tires
- 4 - 110V outlets, 1 - 240V outlet (NEMA 4-30R)
- Remote start and stop switch
- Built in tie downs
- \*Cart shown with optional features\*



ONLY FROM CTECH  
**MotionLatch™**  
Drawer & Door System  
US Patent 6,547,289

ONLY FROM CTECH  
**BadAss™**  
CASTERS

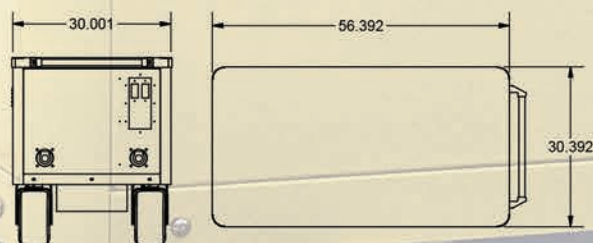
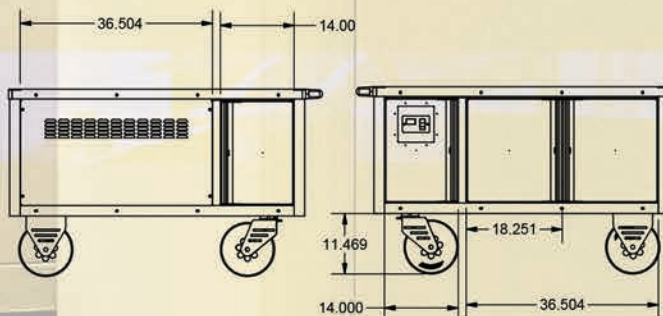
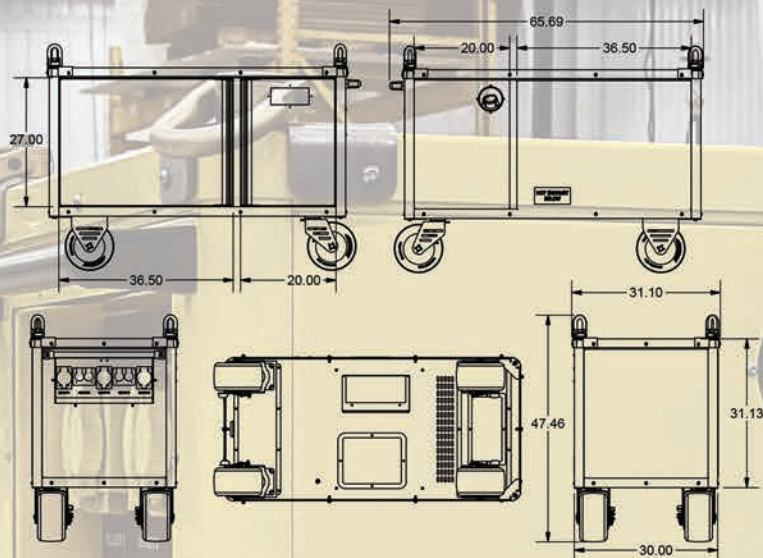
**STANDARD FEATURES:** Lightweight All Aluminum Construction - MotionLatch™ doors - Extruded Aluminum Radius Corners  
Tough Powder Coat Finish - 1/8" Aluminum Top - Heavy Duty Pull Handles



# GENSET NONSTORAGE CART



ORAGE SOLUTIONS • THE MOST RESPECTED NAME IN MOBILE ALUMINUM STORAGE SOLUTIONS • THE MOST RESPECTED



## Proprietary Notice

This drawing and the text, design, and concepts herein are the property of CTECH Trailer Cabinets, a division of Greenheck Racing. Any reproduction, distribution, or forwarding of this document to persons or organizations for any reason without written permission from CTECH is prohibited.