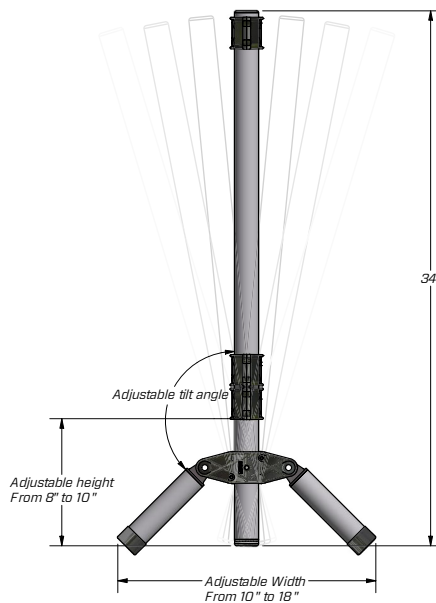
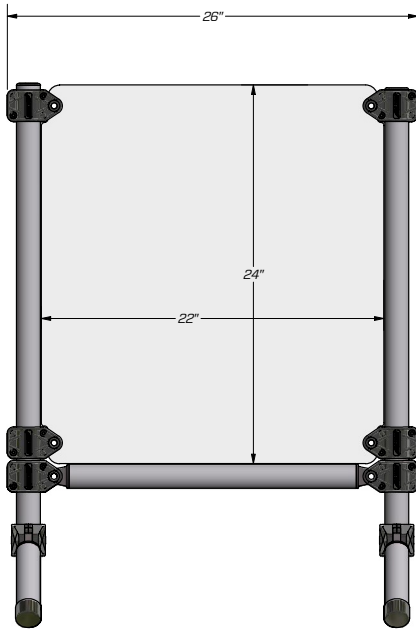


PPE Premium Sneeze Guard



Premium Sneeze Guard - Counter top Adjustable

25.7w x 34.25h x 8-17d (adjustable from 8" - 17")

QTY:	Price:
1-15:	\$249.00
16-25:	\$239.00
26-50:	\$229.00
51-75:	\$219.00
76+:	Call for special pricing

CTech offers the ability to customize width and height. Call 715-355-8842 with your specific requirements.

Product Details:

CTech Manufacturing is dedicated to supplying premium storage products which has led us to complimentary products like this portable shield. This development uses the same quality components you would find in a traditional CTech product with one purpose behind it, to keep your workers safe from airborne viruses and pathogens. The adjustable aluminum framework gives a premium design and aesthetic and the **polycarbonate shield** gives the needed protective barrier between customers and workers. This is a **MUST NEED** for the more contagious season and it easily stores away when it is not needed.

- Legs can be adjusted in or out to vary the depth of space needed as well as the height of the unit (8" to 17" in depth)
- Height can be adjusted using legs (8" minimum to 12" maximum)
- Lightweight Aluminum Framing with bottom rail for a smooth edge
- **1/8" Polycarbonate Window - Scratch Resistant**
- Easy to clean and disinfect with most solutions
- Injection Molded Connectors
- Fully Configurable (special request with quantity order needed)
- Ships completely assembled

Don't let safety disrupt your businesses appearance, get a CTech Manufacturing Sneeze Guard for your offices and receptionist areas. Your customers and workers will appreciate the added safety and notice the attention to quality!

